



"Products That Work"

I-O 4440 BarCode Interface

Twinax/Coax Interface for Bar Code Label & Other Specialty Printers

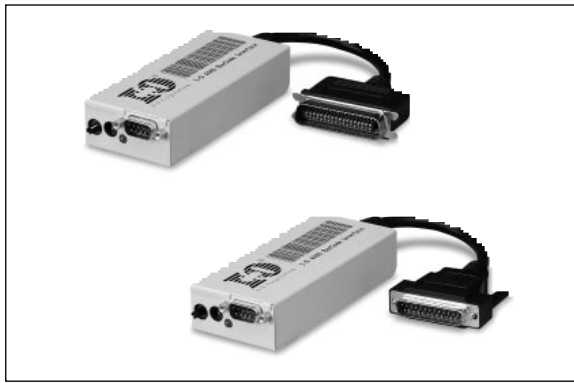


IBM Compatibility +

The I-O 4440 BarCode Interface is the ideal twinax/coax connectivity solution for bar code label and other specialty printers. Due to its unique support of proprietary label printer languages the I-O 4440 is extremely easy to set up and offers unsurpassed communication with the attached printer. The I-O 4440 BarCode Interface offers the following exciting features:

- Standard connectors allow the attachment of virtually any parallel or serial bar code label printer to an IBM AS/400, S/3X, or 3270-type mainframe host, or to a controller.
- Interface settings are preconfigured for use with bar code label printers making installation a snap.
- Support of proprietary label printer languages permits user-friendly customization, diagnostics, and trouble-shooting.
- Compact design turns any attached printer into a seamless, stand-alone twinax/coax printer.
- Programmable EBCDIC/ASCII translation tables ensure compatibility with any existing application.
- Reliable IBM printer emulations and I-O quality guarantee lasting, hassle-free operation in even the most demanding printing environments.

I-O Corporation



I-O 4440 BarCode Interface

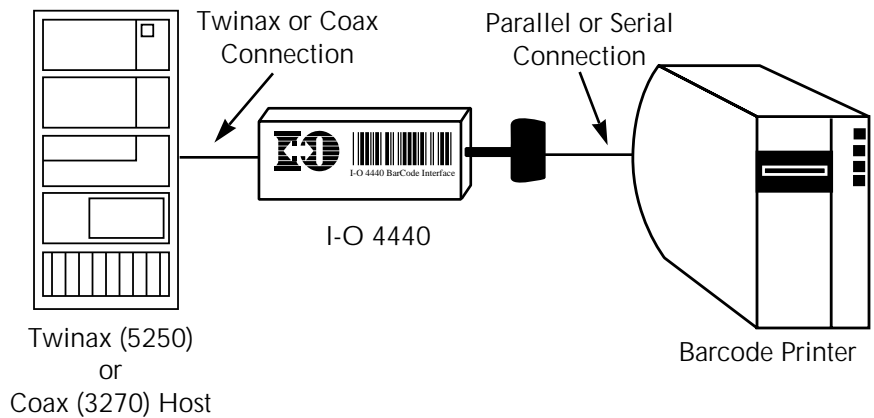
Technical Specifications

Host systems:	Twinax (5250) or Coax (3270)
Interface:	IBM Twinax (TX) or IBM Coax (CX) to parallel (P) or RS-232 serial (S)
Power:	Supplied by printer or through 5V wall mount transformer
Environment:	Temperature: +40° to 110° F (5° to 42° C)
Relative humidity:	20% to 85%, non-condensing
Size:	2" x 4.5" x 1" (5.1 x 11.8 x 2.5 cm)
Approvals:	FCC A, CE 55022

Interface Models

Application Diagram

- I-O **4440STX** BarCode Interface:
Attaches to **serial** printer and **twinax** host
- I-O **4440PTX** BarCode Interface:
Attaches to **parallel** printer and **twinax** host
- I-O **4440SCX** BarCode Interface:
Attaches to **serial** printer and **coax** host
- I-O **4440PCX** BarCode Interface:
Attaches to **parallel** printer and **coax** host



+ Features

Benefits

- Reliable IBM Printer Emulations
- Preconfigured Settings
- Unique Support of Proprietary Label Printer Languages
- Programmable EBCDIC/ASCII Translation Tables
- Dependable Performance
- Field-Proven I-O Command Pass-Thru™
- Internal Power Supply
- Compact Design
- Experience worry-free host printing with I-O's reliable IBM 4214, 5224/25/56 and 3287/68/62 printer emulations.
- Quickly and easily install the I-O 4440. Its factory defaults are already set for bar code label printing.
- Print self-tests, diagnostics, dumps, etc. directly to the attached label printer for convenient customization and trouble-shooting.
- Customize the I-O 4440 to work with any existing application.
- Increase productivity by avoiding printer downtime.
- Access any printer function directly from the host in Command Pass-Thru™ mode.
- Save space by utilizing the printer's capability to supply power through its parallel or serial connector.
- Gain flexibility by turning your bar code label printer into a seamless, stand-alone twinax/coax printer.

Contact your I-O dealer at:

Twin Data Corporation

Internet: <http://www.twindata.com>
 U.S.A. & Intl.: 1025 Commerce Avenue, Union, New Jersey 07083
 Phone: (800) 597-2525 • Fax: (908) 688-8160
 Phone: (908) 688-8100



"Products That Work"

I-O and the I-O logo are registered trademarks of I-O Corporation. IBM is a registered trademark of International Business Machines Corporation. All other trademarks are the property of their respective companies.

